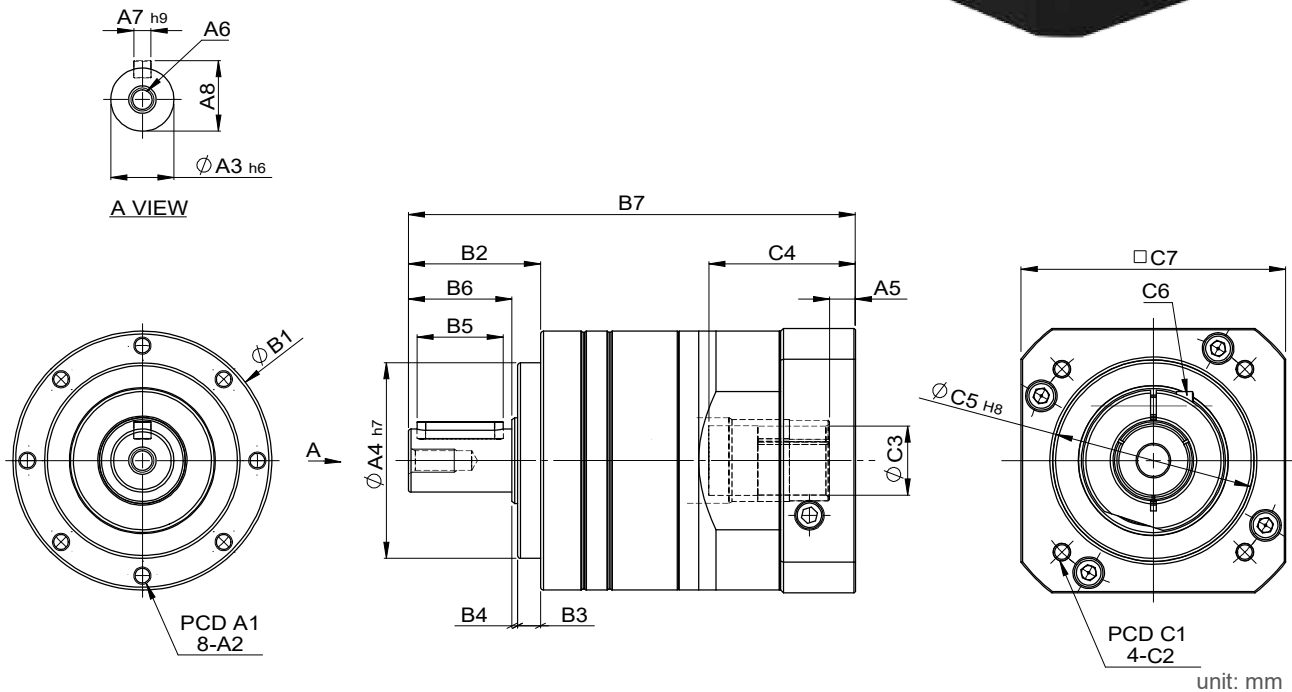


MODEL : SA

單段 1-Stage

RATIO : 3, 4, 5, 7, 10



unit: mm

Model	50	70	90	120	160
A					
A1	44	62	80	108	140
A2	M4 x 0.7	M5 x 0.8	M6 x 1.0	M8 x 1.25	M10 x 1.5
A3	12	16	22	32	40
A4	35	52	68	90	120
A5	4.5	6	9 · 23.5	10 · 20	10
A6	M4 x 0.7	M5 x 0.8	M8 x 1.25	M12 x 1.75	M12 x 1.75
A7	4	5	6	10	12
A8	13.5	18	24.5	35	43
B					
B1	51	70	90	122	160
B2	25.5	36	46	70	88
B3	4	6.5	8	9	8
B4	1.5	1.5	2	3	2
B5	15	20	30	50	65
B6	20	28	36	58	78
B7	96.5	115	155.5 · 170	211 · 221	238.5
C					
C1	45 · 46 · 63 · 70	70 · 75 · 90	90 · 100 · 115 · 145	115 · 145 · 165	165
C2	M3 · M4 · M5	M5 · M6	M6 · M8	M6 · M8 · M10	M10
C3	11 · 14	14 · 19	19 · 24	24 · 28 · 32	24 · 28 · 32
C4	32	33.5 · 41	51 · 65.5	67 · 77	63
C5	30 · 40 · 50	50 · 60 · 70	70 · 80 · 95 · 110	95 · 110 · 130	130
C6	M4 x 0.7	M5 x 0.8	M6 x 1.0	M8 x 1.25	M8 x 1.25
C7	46 · 55 · 60	70 · 75 · 80	92 · 110 · 130	122 · 130 · 150	150

High Precision Planetary Reducer

規格 Model No.	代號	單位 Unit	速比 Ratio	50	70	90	120	160
額定輸出扭矩 Rated Output Torque (Nominal output torque)	T_{2N}	Nm	3	17	54	165	21	
			4	15	48	146	208	5
			5	14	45	155	333	618
			7	13	41	142	309	57
			10	12	40	136	294	549
最大加速扭矩 Max. Acceleration Torque	T_{2B}	Nm	3 ~ 10	1.8 倍額定輸出扭矩 1.8 Times of Rated Output Torque				
最大輸出扭矩 Max. Output Torque 急停扭矩 Emergency Stop Torque	T_{2NOT}	Nm	3 ~ 10	3 倍額定輸出扭矩 3 Times of Rated Output Torque				
額定輸入轉速 Rated Input Speed	n_{1N}	rpm	3 ~ 10	3,000				
最大輸入轉速 Max. Input Speed	n_{1B}	rpm	3 ~ 10	6,000	6,000	6,000	5,000	5,000
扭轉剛性 Torsional Rigidity		Nm/arcmin	3 ~ 10	3	3	15	27	60
背隙 Backlash Ps		arcmin	3 ~ 10	-	-	≤ 1	≤ 1	≤ 1
背隙 Backlash P0		arcmin	3 ~ 10	≤ 3	≤ 3	≤ 3	≤ 3	≤ 3
背隙 Backlash P1		arcmin	3 ~ 10	≤ 5	≤ 5	≤ 5	≤ 5	≤ 5
背隙 Backlash P2		arcmin	3 ~ 10	≤ 7	≤ 7	≤ 7	≤ 7	≤ 7
容許徑向力 Max. Radial Force	F_{2rB}	N	3 ~ 10	320	800	4,150	8,760	9,300
容許軸向力 Max. Axial Force	F_{2aB}	N	3 ~ 10	160	400	3,780	7,500	4,650
使用壽命 Service Life	L_H	hr	3 ~ 10	S5 周期運轉 : >30,000 (S1 連續運轉 : >15,000 hrs) S5 Cycle Operation: >30,000 (S1 Continuous Operation: >15,000 hrs)				
效率 Efficiency	η	%	3 ~ 10	≥ 97%				
使用溫度 Operating Temperature		°C	3 ~ 10	-25°C ~ +90°C				
潤滑 Lubrication			3 ~ 10	全合成潤滑油脂 Synthetic Grease				
防護等級 Protection Class			3 ~ 10	IP 65				
安裝方向 Mounting Position			3 ~ 10	任意方向 Any				
噪音值 Noise Level		dB	3 ~ 10	≤ 58	≤ 58	≤ 60	≤ 63	≤ 65
重量 Weight ±2%		Kg	3 ~ 10	0.6	1.4	2.8	6.7	13.25

■ 轉動慣量 Mass Moments of Inertia (kg.cm²)

速比 Ratio	50	70	90	120	160
3	0.03	0.15	0.60	3.21	9.21
4	0.03	0.15	0.51	2.80	7.54
5	0.03	0.13	0.45	2.71	7.42
7	0.03	0.13	0.42	2.54	7.14
10	0.03	0.13	0.42	2.51	7.03