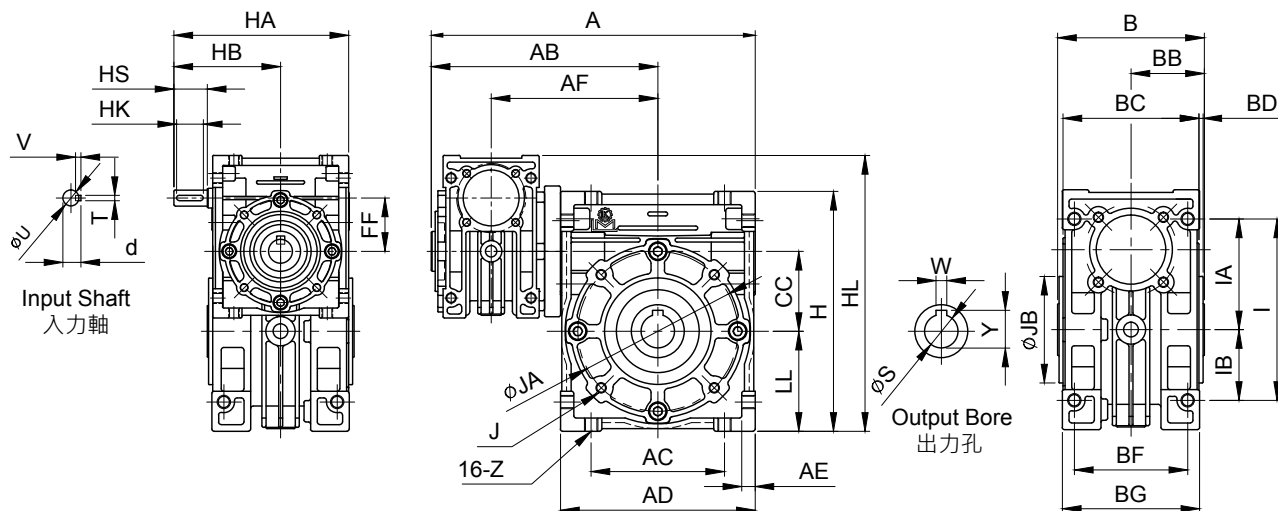


ALUMINUM ALLOY WORM REDUCER SERIES

鋁合金蝸輪減速機系列

MODEL : NEOH



出力段減速機中心距離 (mm) Central distance of output of reducer.	40	50	60	70
入力段減速機中心距離 (mm) Central distance of input of reducer.	30	30	40	50

unit: mm

型號 Model	減速比 Ratio	馬力 HP	CC	FF	A	AB	AC	AD	AE	AF	B	BB	BC	BD	BF	BG	H	HA	HB	HL
40	100~3600	1/8(90W) 63B	40	30	176.5	125.5	70	102	7.5	93	88	44	80	2	60	72	122	105	65	148
50	100~3600	1/8(90W) 63B	50	30	194.5	134.5	80	120	8.5	102	98	49	94	3	70	85	145	105	65	168
60	100~3600	(1/4) 1/2	60	40	243	170	100	146	10	125	108	54	102	3	85	102	180	131	80	207
70	100~3600	(1/4) 1/2 1	70	50	280	195	120	170	12	145	128	64	118	3	90	110	200	155	95	240

型號 Model	減速比 Ratio	馬力 HP	I	IA	IB	LL	Z	入力軸 Input Shaft				出力孔 Output Shaft					重量 Weight (kg)	
								HS	U	d	TxVxHK	W	S	Y	JA	JB		Jx 牙深 Deep
40	100~3600	1/8(90W) 63B	90	55	35	50	M8	20	11	12.5	4x4x16	6	20	22.8	77	60	12-M6-9	3.56
50	100~3600	1/8(90W) 63B	105	65	40	60	M10	20	11	12.5	4x4x16	8	25	28.3	95	70	12-M6-9	4.96
60	100~3600	(1/4) 1/2	136	83	53	75	M10	25	12	13.5	4x4x20	8	25	28.3	120	80	12-M8-12	8.23
70	100~3600	(1/4) 1/2 1	150	90	60	85	M10	30	15	17	5x5x25	8	30	33.3	140	90	12-M10-15	14.1

雙段減速機以定轉速設計，最大扭力請參考「減速機參數」(第 15 頁)，() 為較安全選配馬力。

This 2-stage worm reducer is designed to rotate at fixed speed. We recommend to choose the HP inside () for safer choice. Please refer to page I5 "Reducers Parameter."