

WPL系列精密行星減速機  
WPL SERIES PLANETARY GEARBOX



WPL系列減速機主要性能  
THE PERFORMANCE OF WPL SERIES GEARBOX

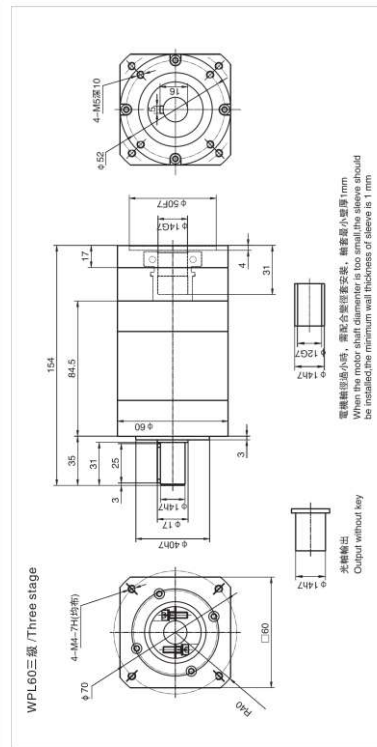
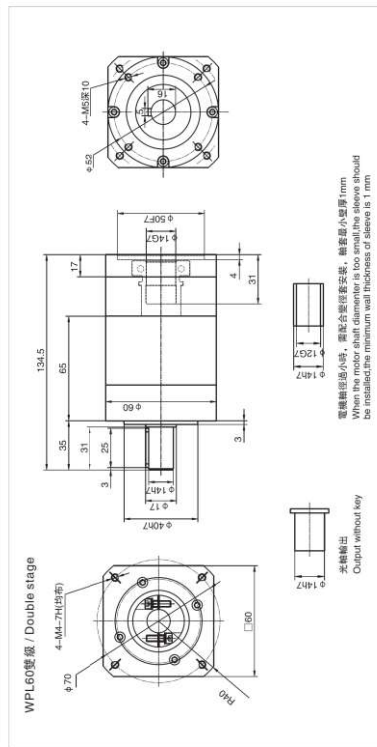
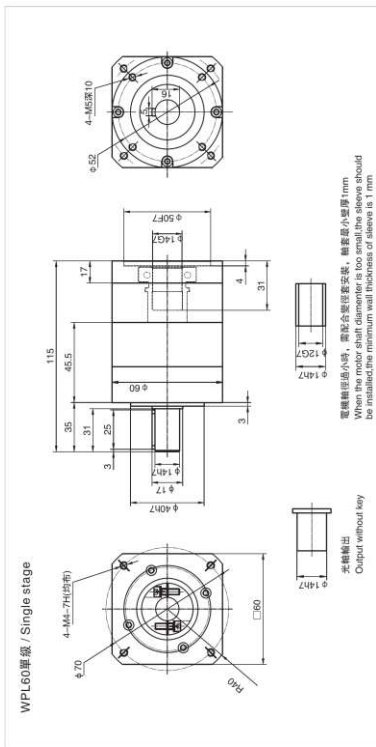
- 1、採用開閉綫齒輪傳動，合金鋼滲碳淬火、精加工達ISO標準5級，齒向齒廓修形處理，確保運轉平穩，噪聲低，承載能力高；
- 2、整體式輸出軸，行星架兩端軸承支撐，實現更高精度、高剛性；
- 3、回程間隙小，可按客戶要求精密單級做到4arcmin以內；
- 4、高速端回轉零件進行動平衡處理，確保高速運轉的平穩性；
- 5、適配任何伺服電機，可進行特殊連接設計，安裝簡便可靠；
- 6、維護簡單，在產品壽命期內無需更換潤滑油(脂)。

- 1.Using involute gear transmission, alloy steel with carbonize&quencher heat treatment, precision level of gear grinding could reach ISO class 5, the profile and axial modification could enhance the bearing capacity stability of mesh and low noise.
- 2.With integral output shaft and bearing support for both sides of planet wheel, realizing higher precision and higher rigidity.
- 3.Small backlash, the accurate single stage can reach within 4 arcmin as clients' request.
- 4.Gyration parts of the input side with dynamic balance treatment can make sure the gearbox running steadily at high speed.
- 5.It can combined with any servo motor, can be designed for special combination, and easy for mounting.
- 6.Simple for maintenance, It don't need to change the oil(grease) during the service life time.

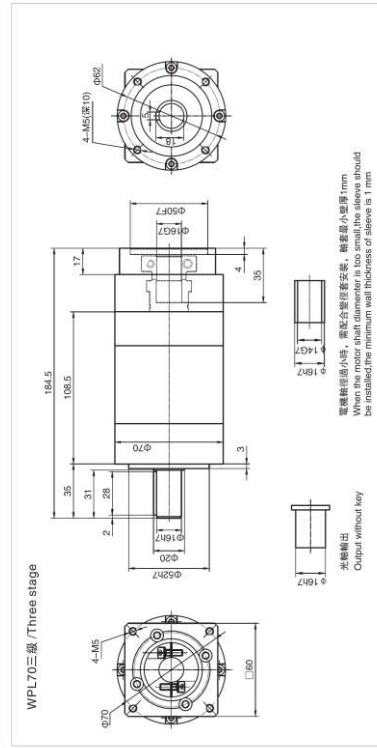
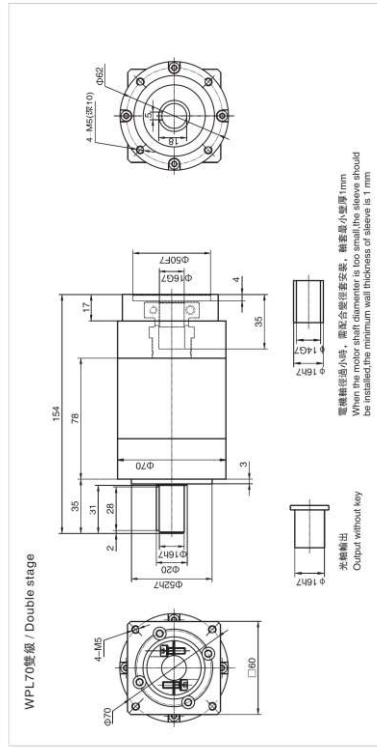
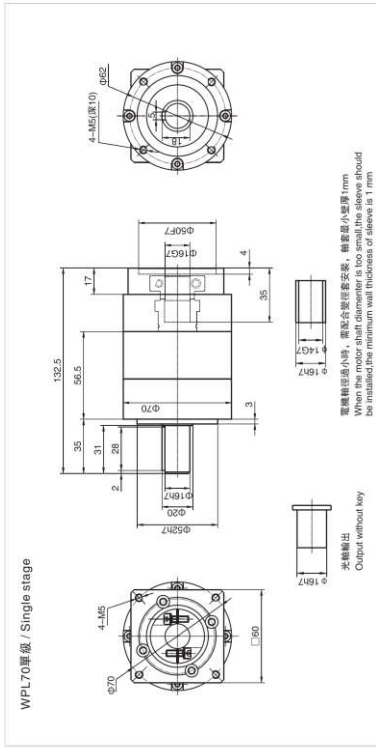
WPL產品性能參數表 / WPL PRODUCT Performance Parameters

型號規格	WPL60	WPL70	WPL90	WPL120	WPL160	速比	級數
額定輸出力矩T2N Nominal output torque	22	38	94	170	435	3	1
	33	52	136	238	582	4	
	34	56	135	240	585	5	
	28	46	106	192	480	7	
	19	28	67	119	296	10	
	33	52	136	238	582	16	
	33	52	136	238	582	20	
	34	56	135	240	585	25	
	34	56	135	240	585	28	
	34	56	135	240	585	35	
	34	56	135	240	585	40	
	33	52	136	238	582	50	
	34	56	135	240	585	50	
	28	46	106	192	480	70	
	19	28	67	119	296	100	
	33	52	136	238	582	64	
	33	52	136	238	582	80	
	33	52	136	238	582	100	
	34	56	135	240	585	125	
	34	56	135	240	585	140	
34	56	135	240	585	175		
33	52	136	238	582	200		
34	56	135	240	585	250		
33	52	136	238	582	280		
34	56	135	240	585	350		
33	52	136	238	582	400		
34	56	135	240	585	500		
28	46	106	192	480	700		
19	28	67	119	296	1000		
最大輸出扭矩T2max	2.4	4.2	7.5	15	28		
扭轉剛度 TORSIONAL RIGIDITY	Nm/arcmin	24	42	75	150		
額定輸入轉速n1	rpm	4000	3500	3000	3000		1, 2, 3
最大輸入轉速nmax	rpm	8000	7000	5000	4500		
最大徑向力Fr	N	555	1179	1280	2189		
最大軸向力Fa	N	793	1539	1649	2922		
標準背隙	<-arcmin	8	8	8	8		1
精密背隙	<-arcmin	10	10	10	10		2
		12	12	12	12		3
		4	4	4	4		2
		6	6	6	6		2
		8	8	8	8		3
滿載效率 Full load efficiency	%	94	94	94	94	3-10	1
應用壽命 Service life	h	20000	20000	20000	20000	16-1000	2
		92	92	92	92	64-1000	3
重量 Weight	kg	1.03	1.52	2.96	6.94	19.8	1, 2, 3
噪聲值 (n1=3000rpm) Running noise	dB(A)	1.33	1.97	3.56	9.04	25.8	2
		1.63	2.62	4.16	11.4	31.8	3
		1.07	1.46	2.40	6.30	19.8	1, 2, 3
		0.094	0.113	0.309	1.650	6.310	3
		0.092	0.107	0.291	1.220	5.150	4
		0.091	0.105	0.285	1.130	4.840	5
		0.091	0.104	0.283	1.110	4.760	7
		0.094	0.113	0.309	1.220	5.150	16
		0.092	0.107	0.291	1.150	4.930	20
		0.091	0.105	0.285	1.130	4.840	25
		0.091	0.104	0.283	1.110	4.760	28
		0.091	0.104	0.283	1.110	4.750	40
		0.091	0.104	0.283	1.110	4.750	50
		0.091	0.104	0.283	1.110	4.750	70
		0.091	0.104	0.283	1.110	4.750	100
		0.092	0.107	0.291	1.150	4.930	64
		0.092	0.107	0.291	1.150	4.930	80
		0.092	0.107	0.291	1.150	4.930	100
		0.092	0.107	0.291	1.150	4.930	125
		0.091	0.105	0.285	1.130	4.840	140
		0.091	0.104	0.283	1.110	4.840	175
		0.091	0.104	0.283	1.110	4.840	200
		0.091	0.104	0.283	1.110	4.840	250
		0.091	0.104	0.283	1.110	4.840	280
		0.091	0.104	0.283	1.110	4.840	350
		0.091	0.104	0.283	1.110	4.840	400
		0.091	0.104	0.283	1.110	4.840	500
		0.091	0.104	0.283	1.110	4.840	700
		0.091	0.104	0.283	1.110	4.840	1000
轉動慣量J1	kg.cm2						
Moment of inertia	kg.cm2						

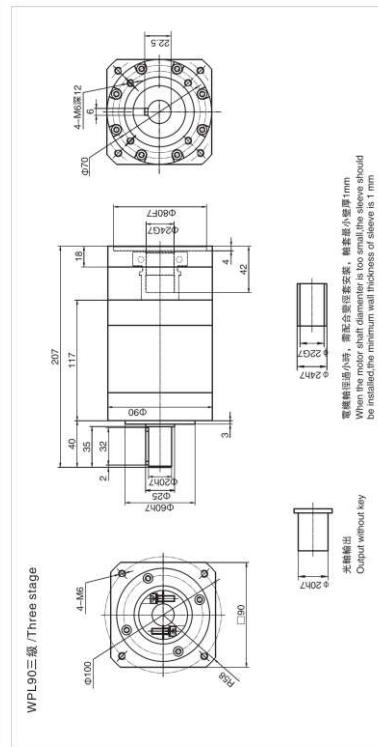
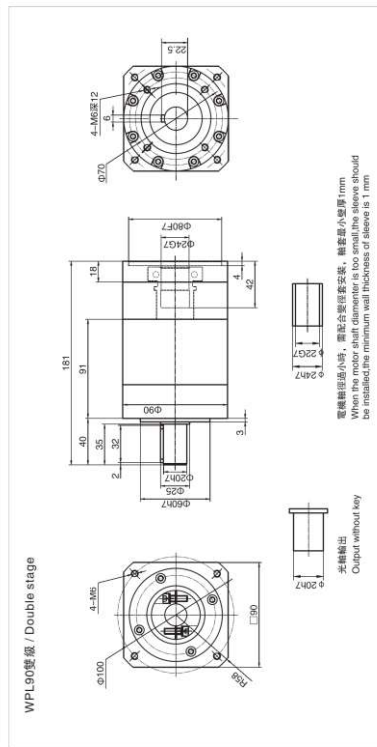
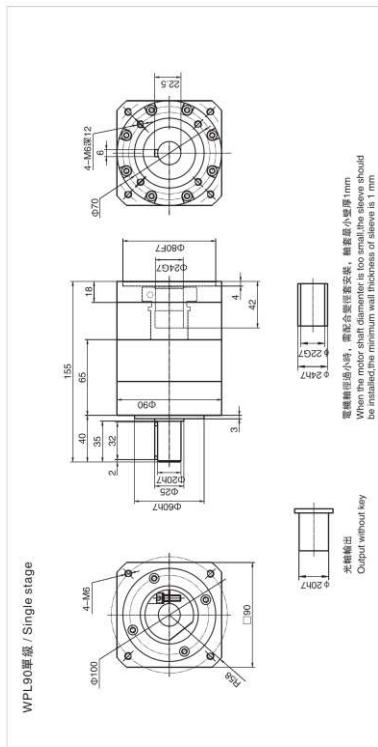
WPL60精密行星減速機外形圖 /



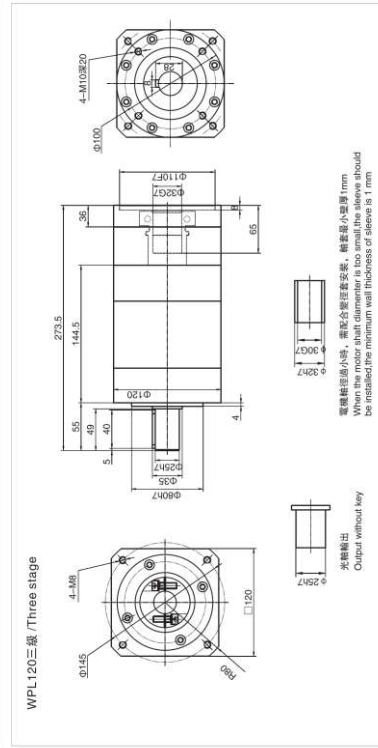
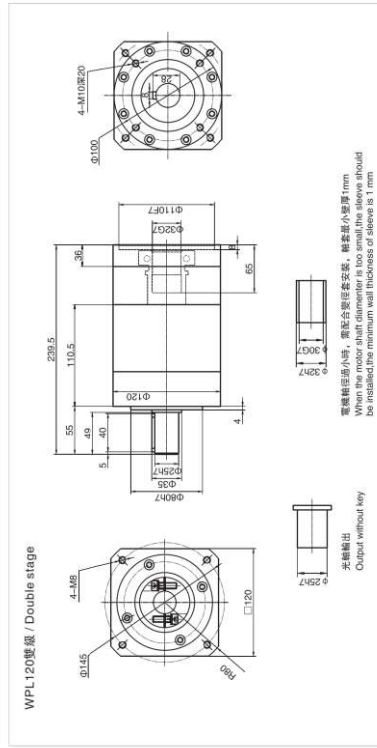
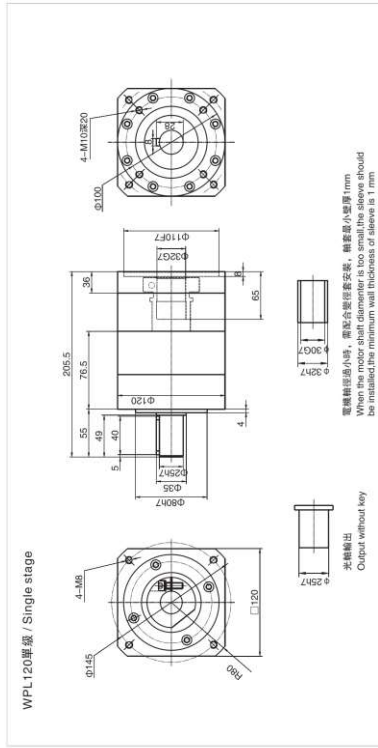
WPL70精密行星減速機外形圖 /



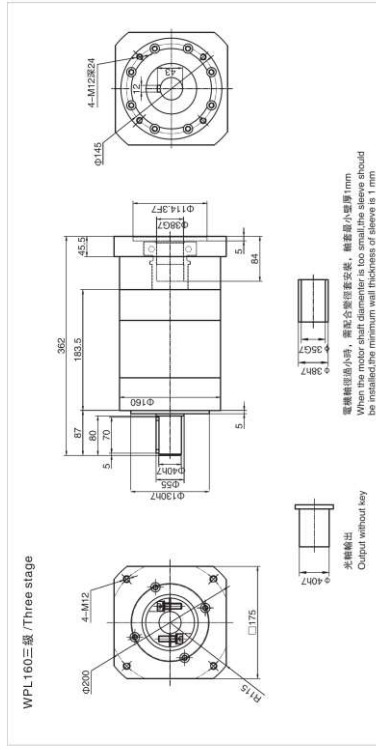
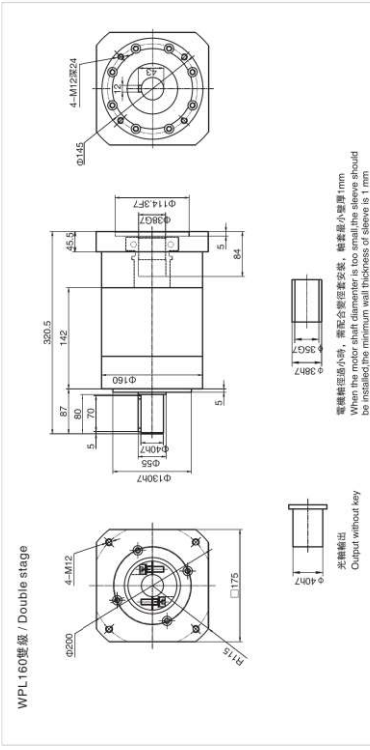
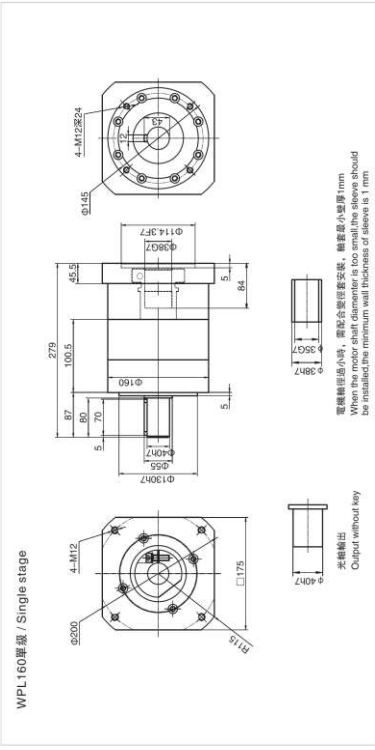
WPL90精密行星減速機外形圖 /



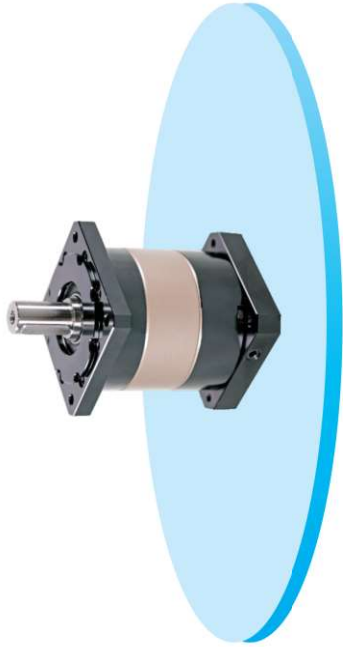
WPL120精密行星減速機外形圖 /



WPL160精密行星減速機外形圖 /



WPLF系列精密行星減速機  
WPLF SERIES PLANETARY GEARBOX



WPLF系列減速機主要性能  
THE PERFORMANCE OF WPLF SERIES GEARBOX

- 1、採用漸開線齒輪傳動，合金鋼滲碳淬火、精加工達ISO標準5級，精加工達ISO標準5級，齒向齒廓修形處理，確保運轉平穩，噪聲低，承載能力高；
  - 2、整體式輸出軸，行星架兩端軸承支撐，實現更高精度、高剛性；
  - 3、回程間隙小，可按客戶要求精密單級做到4arcmin以內；
  - 4、高速度回轉零件進行動平衡處理，確保高速度運轉的平穩性；
  - 5、適配任何伺服電機，可進行特殊連接設計，安裝簡便可靠；
  - 6、維護簡單，在產品壽命期內無需更換潤滑油(脂)。
- 1 Using involute gear transmission, alloy steel with carbonize&quencher heat treatment, precision level of gear grinding could reach ISO class 5, the profile and axial modification could enhance the bearing capacity ,stability of mesh and low noise.  
2 With integral output shaft and bearing support for both sides of planet wheel, realizing higher precision and higher rigidity.  
3 Small backlash, the accurate single stage can reach within 4 arcmin as clients' request.  
4 Gyration parts of the input side with dynamic balance treatment can make sure the gearbox running steadily at high speed.  
5 It can combined with any servo motor, can be designed for special combination, and easy for mounting.  
6 Simple for maintenance, it don't need to change the oil(grease) during the service life time.