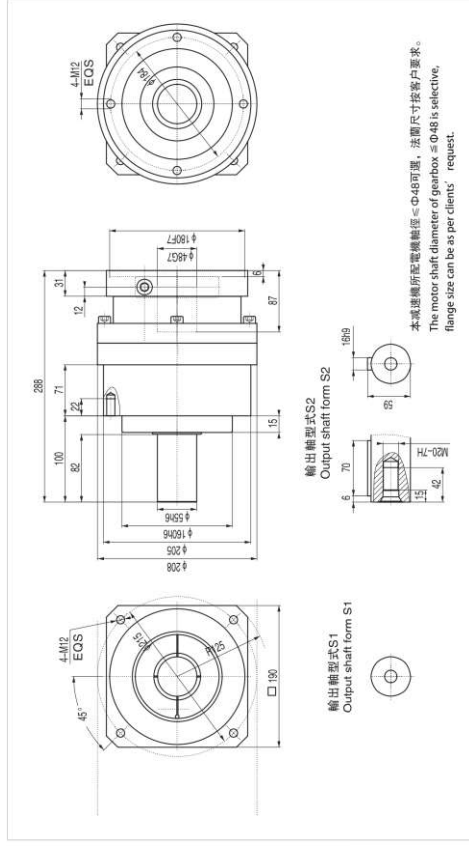
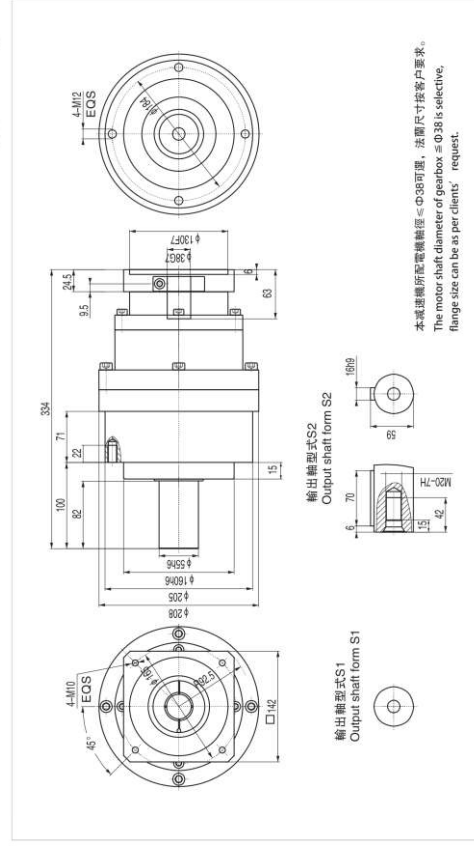


WEP205精密行星齒輪減速機外形尺寸圖
PLANETARY GEARBOX OUTLINE DIMENSION

WEP205單級 / Single stage

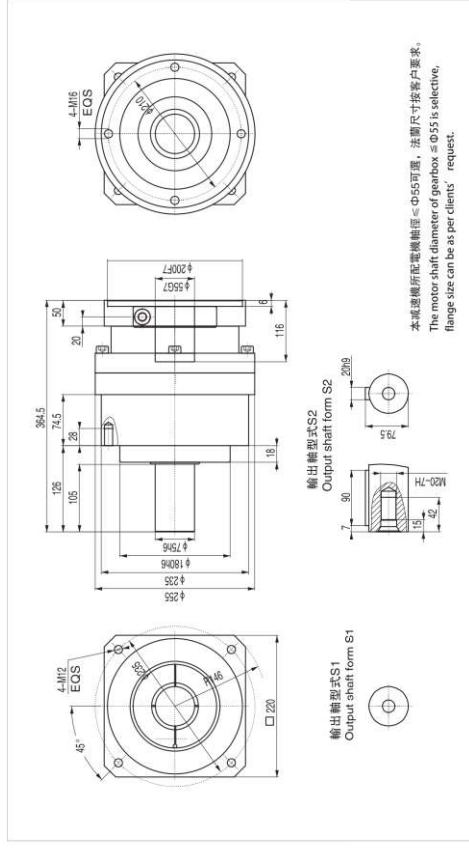


WEP205雙級 / Double stage

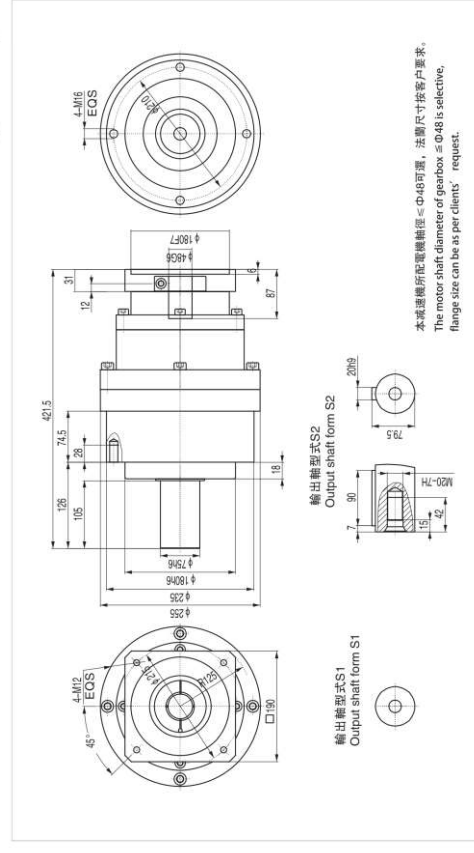


WEP235精密行星齒輪減速機外形尺寸圖
PLANETARY GEARBOX OUTLINE DIMENSION

WEP235單級 / Single stage

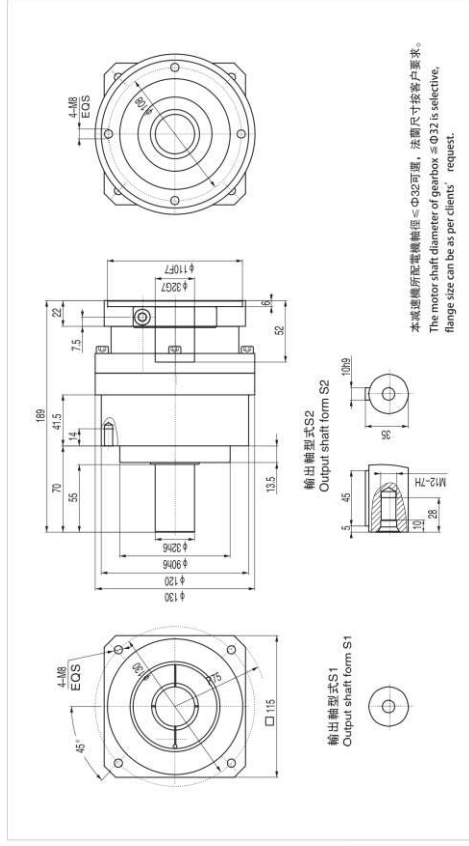


WEP235雙級 / Double stage



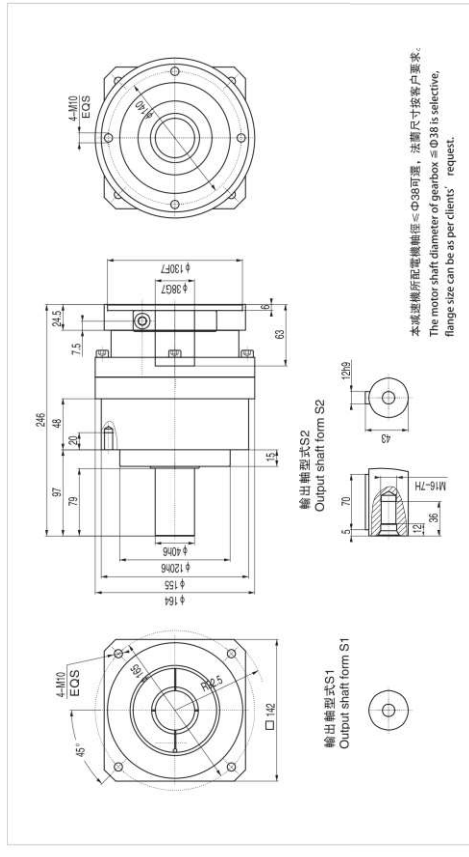
WEP120精密行星齒輪減速機外形尺寸圖
PLANETARY GEARBOX OUTLINE DIMENSION

WEP120單級 / Single stage

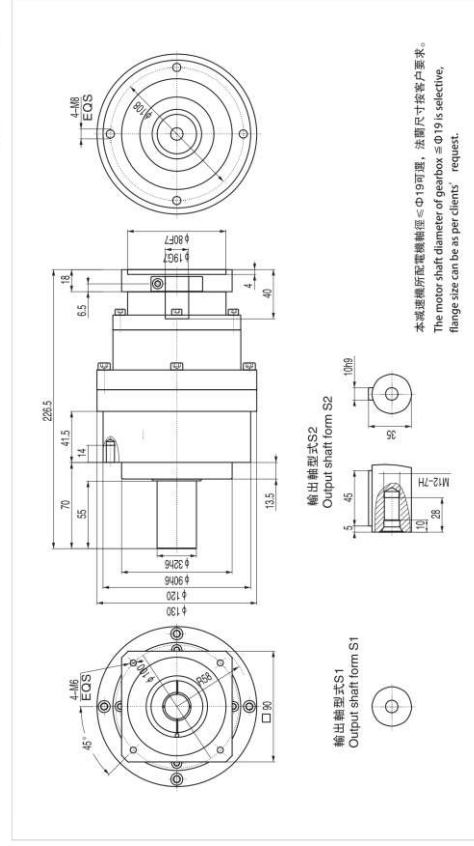


WEP155精密行星齒輪減速機外形尺寸圖
PLANETARY GEARBOX OUTLINE DIMENSION

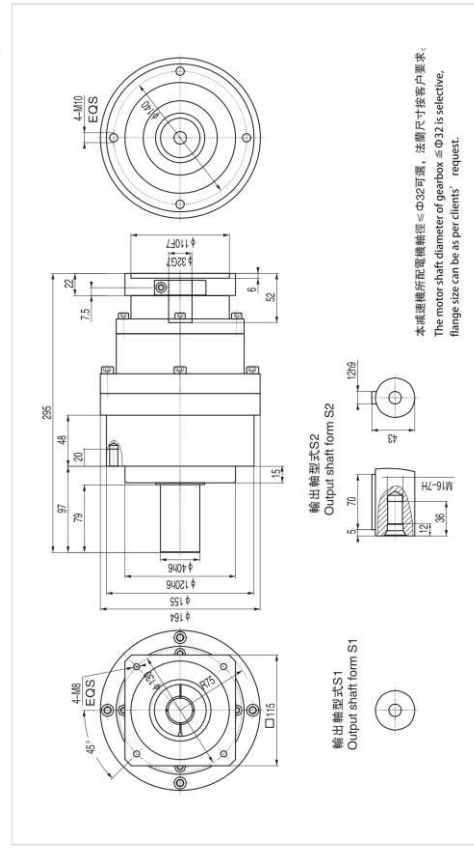
WEP155單級 / Single stage



WEP120雙級 / Double stage

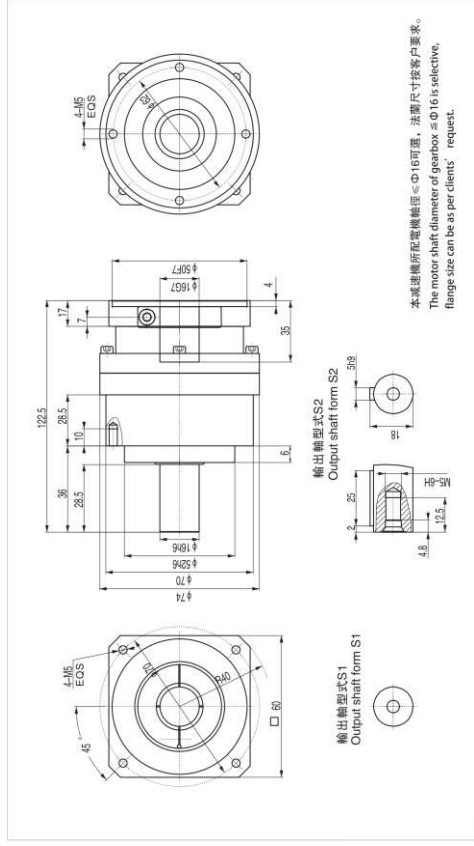


WEP155雙級 / Double stage

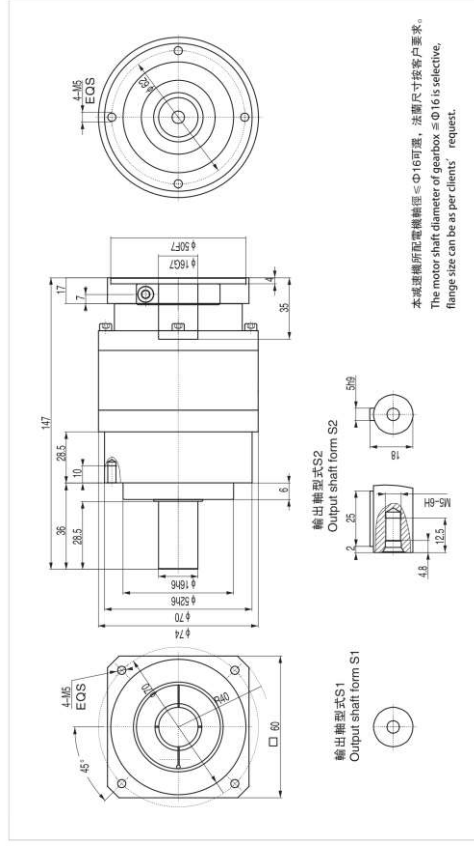


WEP70精密行星齒輪減速機外形尺寸圖
PLANETARY GEARBOX OUTLINE DIMENSION

WEP70單級 / Single stage

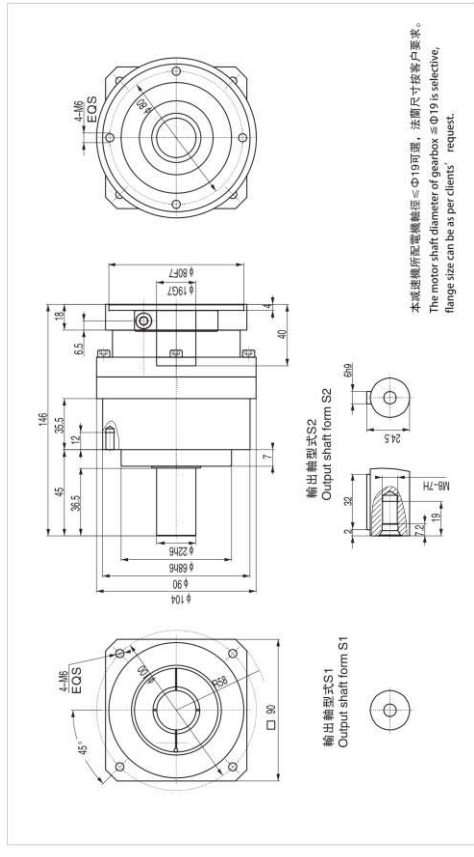


WEP70雙級 / Double stage

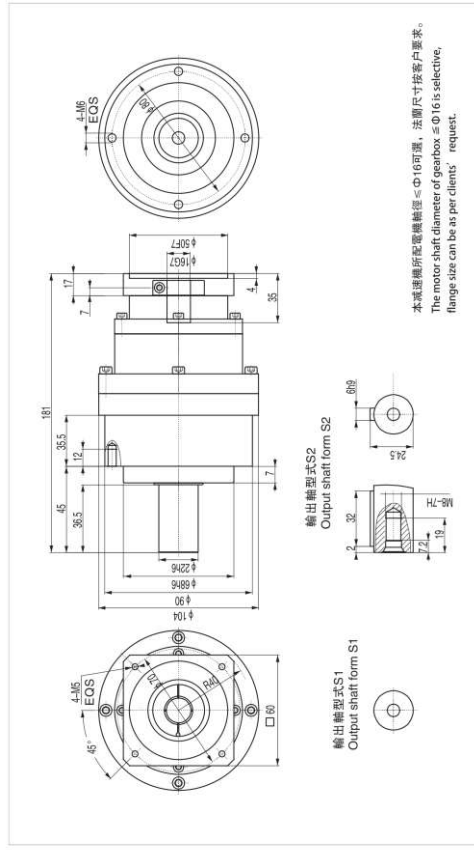


WEP90精密行星齒輪減速機外形尺寸圖
PLANETARY GEARBOX OUTLINE DIMENSION

WEP90單級 / Single stage



WEP90雙級 / Double stage



WEP系列精密行星減速機
WEP SERIES PLANETARY GEARBOX



WEP系列減速機主要性能

THE PERFORMANCE OF WEP SERIES GEARBOX

- 1、採用漸開線齒輪傳動，合金鋼滲碳淬火、精加工達ISO標準5級，齒向齒廓修形處理，確保運轉平穩，噪聲低，承載能力高；
 - 2、整體式輸出軸，行星架兩端軸承支撐，實現更高精度、高剛性；
 - 3、回程間隙小，可按客戶要求精密算級做到3arcmin以內；
 - 4、高速端回轉零件進行動平衡處理，確保高速運轉的平穩性；
 - 5、適配任何伺服電機，可進行特殊連接設計，安裝簡便可靠；
 - 6、維護簡單，在產品壽命期內無需更換潤滑油(脂)。
1. Using involute gear transmission, alloy steel with carbonyze&quencher heat treatment, precision level of gear grinding could reach ISO class 5, the profile and axial modification could enhance the bearing capacity, stability of mesh and low noise.
 2. With integral output shaft and bearing support for both sides of planet wheel, realizing higher precision and higher rigidity.
 3. Small backlash, the accurate single stage can reach within 3 arcmin as clients' request.
 4. Gyration parts of the input side with dynamic balance treatment can make sure the gearbox running steadily at high speed.
 5. It can combined with any servo motor, can be designed for special combination, and easy for mounting. (It can be specially designed to accept any type of servo motor, mounting is convenient)
 6. Simple for maintenance, it don't need to change the oil(grease) during the service life time.

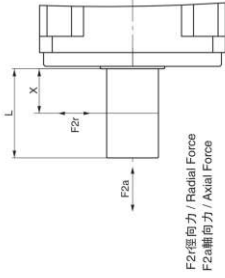
WEP產品性能參數表 / WEP PRODUCT PERFORMANCE PARAMETERS

型號規格	TYPE	WEP70	WEP90	WEP120	WEP155	WEP205	WEP235	速比	級數
		38	118	205	478	929	1420	3	
		52	176	310	701	1288	2110	4	
		56	185	330	747	1300	2180	5	
		52	168	310	696	1181	2062	6	
		46	157	278	630	1162	1802	7	1
		37	125	222	496	920	1400	8	
		31	104	195	414	774	1138	9	
		29	98	174	390	720	1080	10	
		38	118	205	478	929	1420	15	
		52	176	310	701	1288	2110	20	
		56	185	330	747	1300	2180	25	
		52	168	310	696	1181	2062	30	
		46	157	278	630	1162	1802	35	
		37	125	222	496	920	1400	40	
		31	104	195	414	774	1138	45	
		29	98	174	390	720	1080	50	
		38	118	205	478	929	1420	60	
		52	176	310	701	1288	2110	70	
		56	185	330	747	1300	2180	80	
		52	168	310	696	1181	2062	90	
		46	157	278	630	1162	1802	100	
		37	125	222	496	920	1400	110	
		31	104	195	414	774	1138	120	
		29	98	174	390	720	1080	130	
		7	15	26	50	150	225	3-100	1, 2
最高允許輸出力矩	Emergency Stop Torque								
額定輸出力矩T2NOT	Nm(arcmin)								
額定輸入轉速n1	Nominal input speed	rpm	rpm	rpm	rpm	rpm	rpm		
最大輸入轉速n1max	Max. input speed	rpm	rpm	rpm	rpm	rpm	rpm		
最大徑向力Fr	Max. Radial forces	N	1320	1870	4020	5730	11600	18300	
最大軸向力Fa	Max. Axial forces	N	1450	1900	3130	5110	6800	10790	
精密背隙	Precision Backlash	arcmin	3	3	3	3	3	3-10	1
標準背隙	Standard Backlash	arcmin	5	5	5	5	5	15-100	2
		8	8	8	8	8	8	3-10	1
		10	10	10	10	10	10	15-100	2
滿載效率η	Full load efficiency	%	97	94				15-100	2
使用壽命h	Service life	h						3-100	1, 2
重量	Weight	kg	1.7	3.4	7.2	13.2	32	53	3-10
噪聲值(n1=3000rpm)	Running noise	dB(A)	2.3	4.7	9.9	17.6	36.5	66	15-100
			55	60	63	65	67	70	3-100
			0.407	1.479	7.182	19.30	55.55	146.3	3
			0.286	0.803	4.888	11.64	37.27	97.08	4
			0.265	0.643	4.332	9.308	32.56	83.71	5
			0.251	0.557	4.036	8.429	29.99	76.00	6
			0.244	0.520	3.916	7.852	28.85	72.61	7
			0.236	0.485	3.774	7.395	27.85	70.27	8
			0.232	0.469	3.717	7.153	27.24	67.97	9
			0.229	0.469	3.684	7.015	26.96	67.44	10
			0.342	0.379	1.431	7.113	16.79	53.04	15
			0.276	0.292	0.964	5.561	11.45	42.82	20
			0.265	0.275	0.887	5.244	10.71	40.80	25
			0.263	0.270	0.853	5.169	10.34	40.00	30
			0.262	0.267	0.838	5.121	10.12	39.72	35
			0.259	0.263	0.827	5.054	10.02	39.52	40
			0.258	0.261	0.825	5.036	9.957	39.39	45
			0.236	0.238	0.674	4.619	8.566	35.05	50
			0.235	0.236	0.651	4.571	8.285	34.48	60
			0.234	0.235	0.640	4.540	8.115	34.32	70
			0.231	0.232	0.634	4.488	8.042	34.20	80
			0.230	0.231	0.634	4.478	8.005	34.14	90
			0.229	0.229	0.640	4.473	7.991	34.12	100

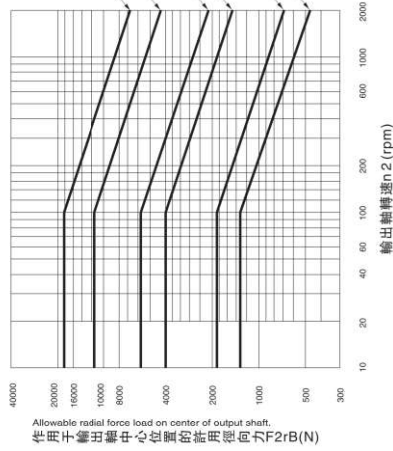
1 最大加速力矩T2B=60%·T2NOT 2 輸出轉速100rpm.作用於輸出軸中部 3 連續運轉，壽命為10000小時

1.The Max Acceleration Torque T2B=60%·T2NOT 2.Applied to the output shaft center at 100 rpm. 3. For continuous operation,the service life time is less than 10,000 hours.

減速機輸出軸許用軸向力與徑向力 Allowable axial force and radial force of output shaft of gearbox



F2r徑向力 / Radial Force
F2a軸向力 / Axial Force



作用於輸出軸中心位置的許用徑向力F2rB(N)

減速機技術參數表中所列出的徑向力與軸向力數據是如下條件計算得出：

- A. 輸出轉速為1000/min;
- B. 計算徑向力作用在輸出軸中部(L/2處), 允許同時作用的軸向力小於或等於徑向力的20%;
- C. 計算軸向力作用於遠離輸出軸的軸心, 無徑向力作用。

The data of axial and radial force in the parameter list are calculated according to the following conditions:

- A: The speed of output shaft 1000 r/min;
- B: Calculate the radial force load on center of shaft, allow the axial force which loads at the same time less or equal the 20% of radial force;
- C: Through axis of output shaft without axial force to calculate the active line of radial force.

當徑向力F2r作用於輸出軸中部(X=L/2時), 各規格的減速機在不同的輸出轉速條件下運行, 使用壽命保證為20000小時所能承受的徑向力為F2rB, 請參照左圖查取。此時, 許用軸向力F2aB=0.2*F2rB。

If the radial force F2r loads on center of output shaft(X=L/2), various gearboxes drive in different speed, the service life time is 20,000 hours, the bearable radial (radial) force is F2rB, check from left diagram. At the moment, the allowable axial force F2aB=0.2*F2rB.

當徑向力不作用在輸出軸中部時, 越靠近減速機(X < L/2時), 所能承受的徑向力變大, 越遠離減速機(X > L/2時), 所能承受的徑向力變小。各種規格減速機因徑向力作用位置不同所能承受的徑向力請按下表計算:

If the radial force not loads on center of the output shaft, more closer the gearbox (X < L/2), the bearable radial force is more larger; more farther the gearbox, the bearable radial force is more smaller. The bearable radial force of different radial loading position of various gearboxes is calculated as below.

計算:

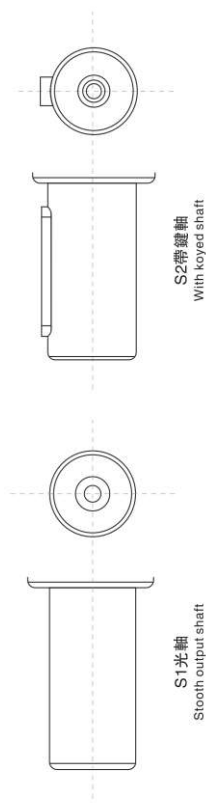
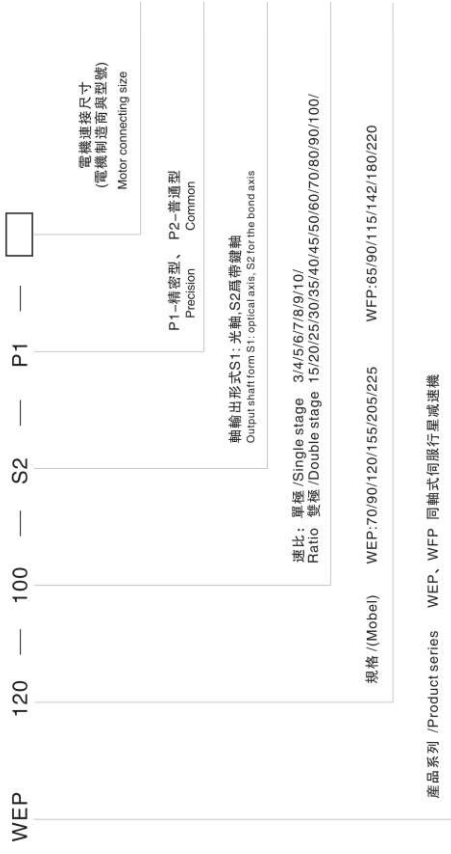
$$\text{徑向力: } F2rB' = \frac{a}{X+b} \times F2rB \quad \text{其中系數a、b查徑向力作用位置計算系數表}$$

$$\text{軸向力: } F2aB' = 0.2 \times F2rB'$$

型號	WEP70	WEP90	WEP120	WEP155	WEP205	WEP235
	WFP65	WFP90	WFP115	WFP142	WFP180	WFP220
a	61.75	78.25	102.5	136.5	151	184
b	47.5	60	75	79	110	131.5

其他系列轉速與徑向力關係與本公司技術部聯繫

訂貨說明 / ORDER INSTRUCTIONS



如果有疑問請諮詢服務人員
If in doubt, please consult customer service staff