

COHM

Features of COHM Series

COHM 系列產品特性

- ◆ 扭力限制設計，防止因扭力過大使馬達燒毀，或扭力過大而損壞其機件。
Torque limitation design: to prevent motor from burning or other parts from damaging by over-large torque.
- ◆ 已調整扭力限制，至適當扭力限制大小。
The torque limitation already adjusted to proper value.
- ◆ 安裝方便，可任意方向安裝。
Fixing holes are attached. The reducer can be installed in any direction.
- ◆ 體積小，效率高，扭力大，壽命長，減速比高。
Small volume, high efficiency, large torsion, long lifetime, high reduction ratio.



Indication of Model Numbers

機種型號表示

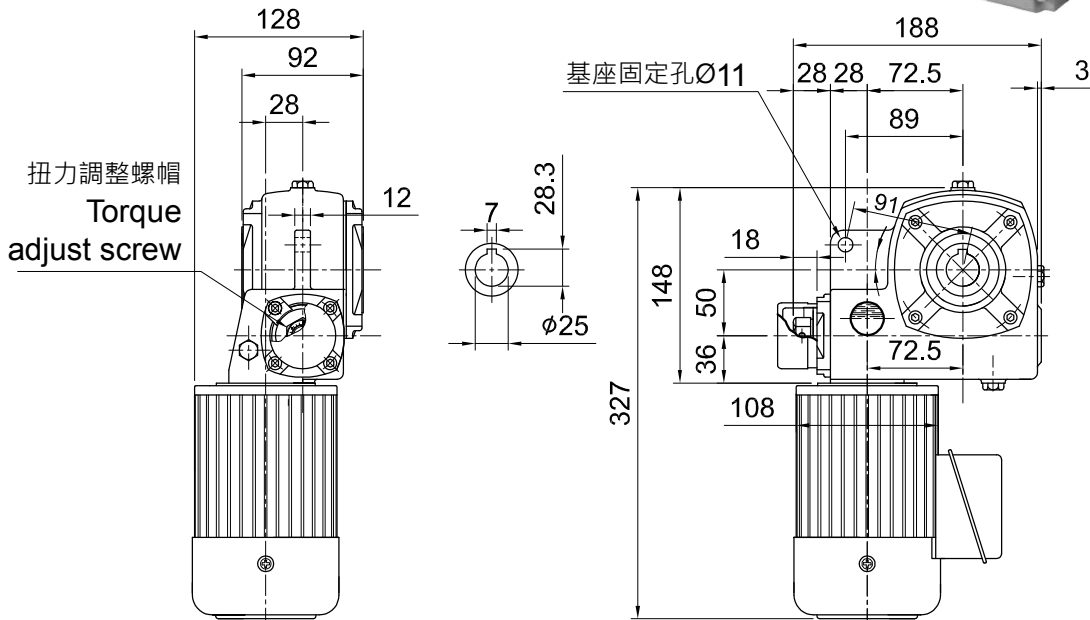
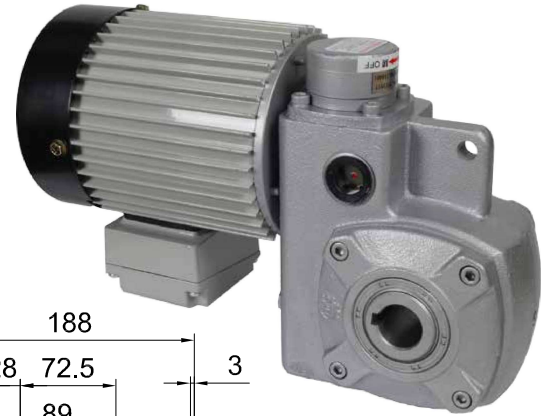
COHM	50	100	1/4	TB
減速機型 Type	型號 Model	減速比 Ratio	馬力 Horse Power	馬達種類 Motor Type
COHM	50 60	100 ~ 400 200 ~ 300	1/4HP 1/2HP (4P)	T: 三相馬達 3 Phase TB: 三相剎車 3 Phase Brake

- ◆ COHM 限用 4P 三相馬達。
Please use 4 Pole Motor.
- ◆ 如需其他減速比，請與我們連絡。
For special ratio, please contact us.
- ◆ 本目錄所記載之減速比為公稱減速比，實際減速比非正整數，如需實際減速比請與我們連絡。
The reduction ratio recorded in this catalogue is the nominal reduction ratio, and the actual reduction ratio is not a positive integer. If you need the actual reduction ratio, please contact us.

MODEL : COHM50

RATIO : 100, 200, 300, 400

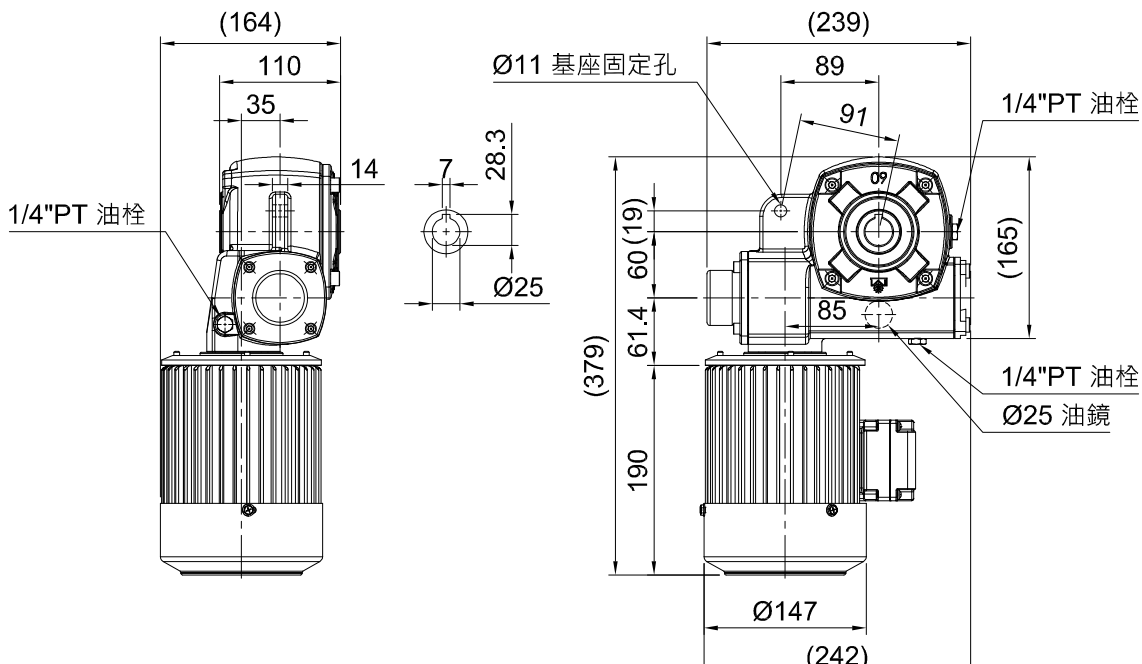
型號 Model	馬力 HP (4P)	重量 Weight (kg)	油量 Oil (ℓ)
50	1/4	13	0.5



MODEL : COHM60

RATIO : 200, 300, 400

型號 Model	馬力 HP (4P)	重量 Weight (kg)	油量 Oil (ℓ)
60	1/2	18	0.8

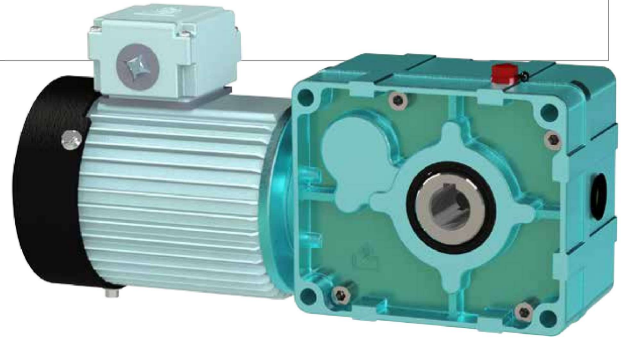


HE

Features of HE Series

HE 系產品特性

- ◆ 簡化安裝元件
Simplify Assembly Component
- ◆ 任意方向安裝
Free Direction
- ◆ 高效率
High Efficiency
- ◆ 安裝快速
Easy to Install
- ◆ 低噪音
Low Noise
- ◆ 小型輕量
Small and Light-Weight
- ◆ 維護簡單
Easy to Maintain
- ◆ 安全
Safety



Indication of Model Numbers

機種型號表示

HE	4070	30	1/8	A	1	TB
機型 Type	型號 Model	減速比 Ratio	馬力 Horse Power	安裝方向 Installation Direction	馬達配線盒 Motor Wiring Box	馬達種類 Motor Type
HE	4070	30	1/8HP	A	1: 上 (標準) Up (Standard)	T: 三相馬達 3 Phase
HEB	5080	~ 192	1/4HP 1/2HP 1HP (4P)	B C D E F	2: 右 Right 3: 下 Down 4: 左 Left	TB: 三相剎車 3 Phase Brake

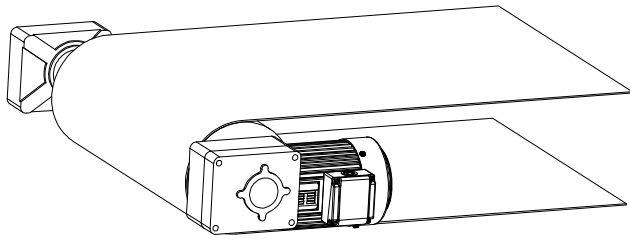
- ◆ 如需其他減速比，請與我們連絡。

For special ratio, please contact us.

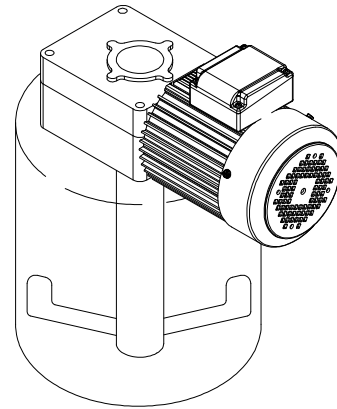
- ◆ 本目錄所記載之減速比為公稱減速比，實際減速比非正整數，如需實際減速比請與我們連絡。

The reduction ratio recorded in this catalogue is the nominal reduction ratio, and the actual reduction ratio is not a positive integer. If you need the actual reduction ratio, please contact us.

應用範例 Examples



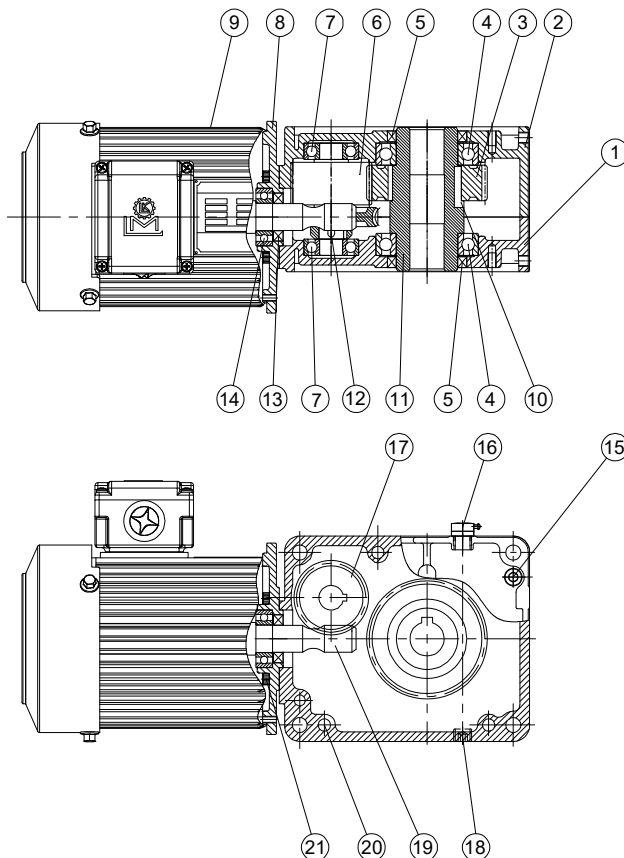
輸送機 CONVEYER



攪拌機 STIRRING MACHINE

分解系統圖 System Drawing

MODEL : HE



NO.	零件名稱	Name of Parts
1	齒輪箱蓋	Gear Shell Cover
2	齒輪箱	Gear Shell
3	D 齒輪	D Gear
4	滾珠軸承	Ball Bearing
5	油封	Oil Seal
6	C 齒輪軸	C Gear Shaft
7	滾珠軸承	Ball Bearing
8	馬達盤	Motor Flange
9	馬達	Motor
10	雙圓鍵	Key
11	出力軸	Output Shaft
12	雙圓鍵	Key
13	油封	Oil Seal
14	滾珠軸承	Ball Bearing
15	六角承窩頭螺絲	Hex Screw
16	注油栓	Oil Plug
17	蝸輪	Worm Wheel
18	排油栓	Drain Plug
19	蝸桿	Worm Shaft
20	定位梢	Locating Pin
21	六角承窩頭螺絲	Hex Screw

減速機安裝 Usage and Installation

使用前請檢查

- ◆ 檢查機種、型號、馬力、使用方式、旋向、軸方向、減速比、入力軸、出力軸回轉數是否符合。
- ◆ 檢查注油情況，先確定是否有油，並保持油量在油面計一半以上，潤滑油選定請參考潤滑油之說明。

場所

- ◆ 須裝置於平且堅固的底部。
- ◆ 安裝之環境須乾燥且通風良好，周圍溫度 0°C ~40°C 異常高溫或低溫時請註明。
- ◆ 使用前請拔掉加油蓋上的插梢。

潤滑油

- ◆ 本公司出廠減速機使用多效齒輪油黏度指數 400~480，亦可選用合成潤滑油或相同等級潤滑油。
- ◆ 最初使用 300 小時後，洗淨內部，換上新油，以後每 2,500 小時換油。
- ◆ 在高速、高溫、低速、重荷重、強制潤滑等，特殊情況下使用場合，請與本公司洽商。
- ◆ 潤滑油不足或潤滑油不適合，可能導致蝸輪、齒輪磨損和效率降低。
- ◆ 潤滑油過多，會導致漏油。

注意事項

- ◆ 如須 24 小時，連續使用，建議可使用合成油，請於訂購時須註明，油價另商議。

馬達

- ◆ 電源電壓變動大於 10% 時，馬達會有燒毀之虞，並使出力軸扭力降低或異常。
- ◆ 馬達超負荷使用有燒燬之虞。
- ◆ 馬達結線錯誤會導致馬達燒燬。
- ◆ 濕氣過重的環境會使剎車馬達的剎車器產生鏽蝕失去剎車功能。

Check Before Operating

- ◆ Check if the type, model number, horsepower, installation direction, running direction, gear ratio, input R.P.M. and output R.P.M. are in accordance with the requirement.
- ◆ Check oil level to make sure that oil volume is sufficient and keeps above the middle position of oil gauge. Selection of lubricant is suggested as below.

Place

- ◆ A flat, firm and solid mounting place is required necessarily for installation.
- ◆ The ambient environment shall be dry and well ventilated and ambient temperature is at 0~40°C. Please point out if extreme high or low temperature will occur.
- ◆ Please pull the black pin out of red oil plug before operating.

Lubricant Oil

- ◆ Our Standard products use extreme pressure lubricant, the viscosity is 400~480. You can also use synthetic lubricant or the same level of lubrication.
- ◆ After initial operating 300 hours, please clean the interior of gearbox and replace new lubricant. Please have this measure every 2,500 hours operation.
- ◆ If the reducer is applied to special conditions such as high speed, high temperature, low speed, heavy loading or forced lubrication, please state in advance.
- ◆ That lubricant is insufficient or improper will cause worm wheel and gear worn-out to make efficiency lower.
- ◆ Excessive lubricant will cause leakage.

Precautions

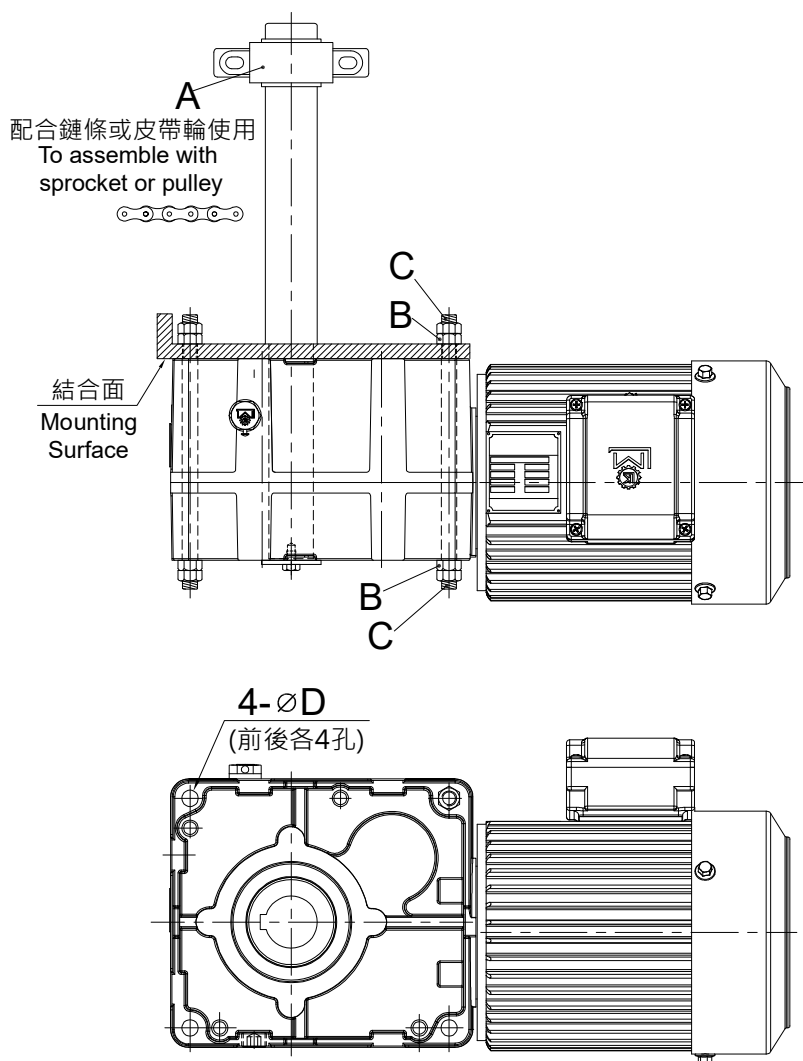
- ◆ If it is used continuously for 24 hours working, it is recommended to use synthetic oil. Please advice when ordering.

Motor

- ◆ The voltage variation over 10% will cause motor to burn out.
- ◆ Overloading operation will make motor to burn out.
- ◆ Wrong wiring connection will make motor to burn out.
- ◆ High moisture environment will cause the brake set rusted and lost brake function.

安裝方式

安裝時，減速機結合面應成 90° 垂直，如安裝錯誤會導致減速機損毀或漏油。
安裝方式如下圖：



Installation Method

Please keep the mounting surface as vertical when you install the shaft, or the reducer will be damaged or leakage.
Installation as below:

型號 Model	軸承座 A Bearing Housing	螺帽 B Nut	牙條螺絲 C Long-threaded Screw	基座固定孔 D Fixing Hole
HE4070	1 set	M10 x 4pcs	M10x170L	4-∅11
HE5080	1 set	M10 x 4pcs	M10x200L	4-∅11

建議使用此種設計安裝 - 軸承座 1 組：

安裝時使用 1 支牙條螺絲，置入基座固定孔內，並使用雙向雙螺帽固定於機台上。

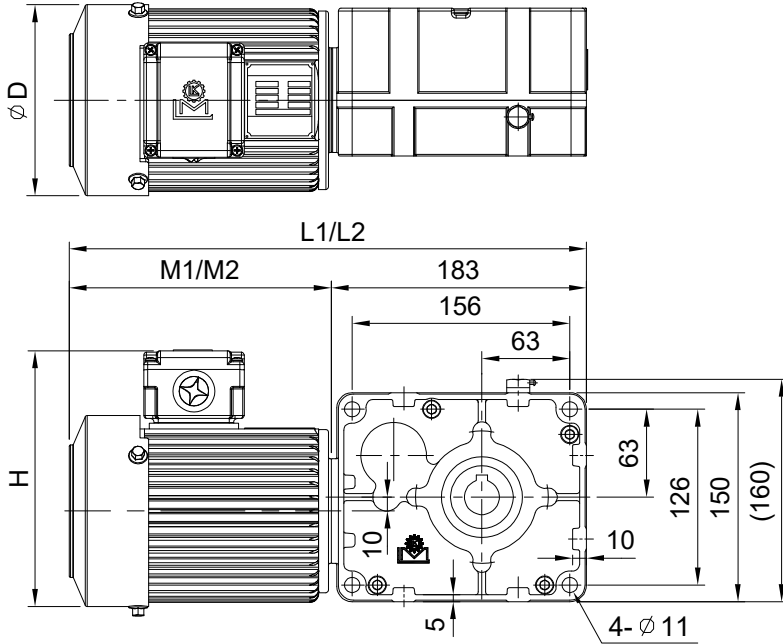
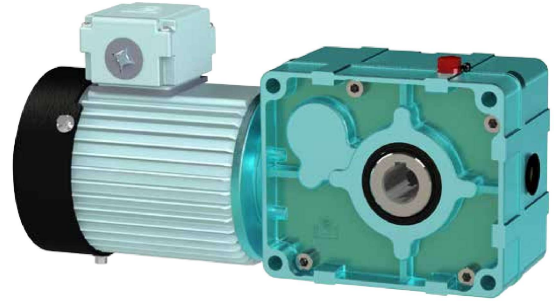
We suggest this installation - 1 set of bearing housing:

To use a long-threaded screw to put into the fixing hole, with two-way double nuts.

軸上型蝸輪減速機 HE 系列

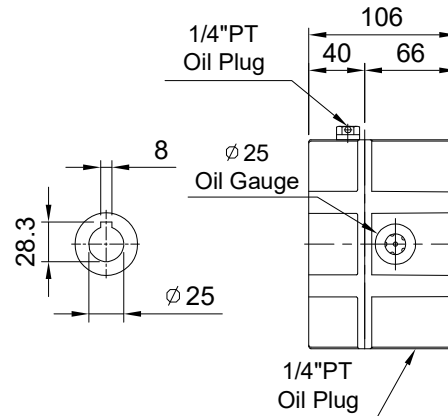
MODEL : HE4070

RATIO : 30, 40, 50, 60, 96, 132, 150, 192



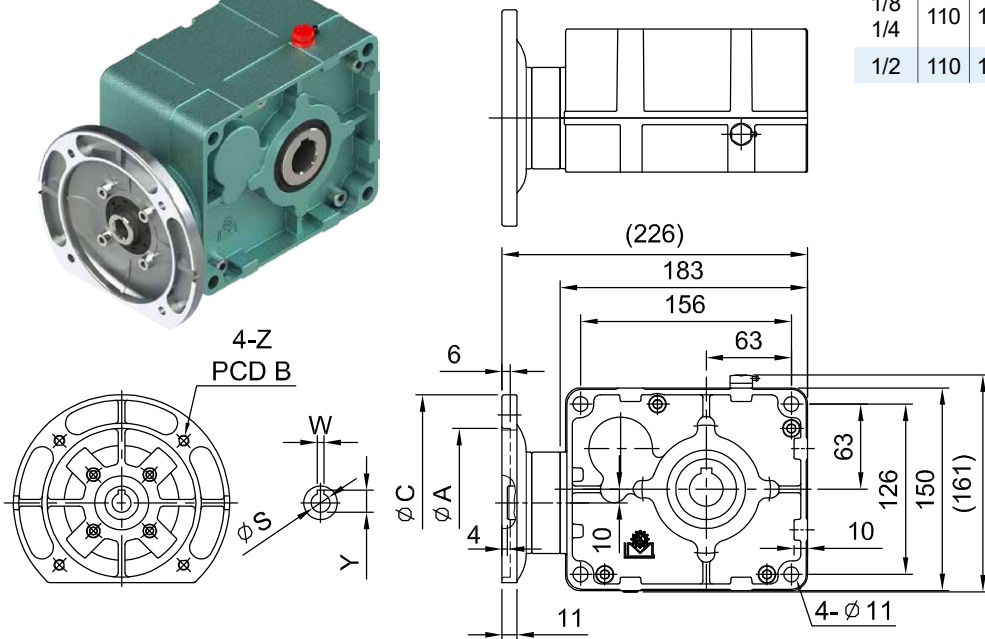
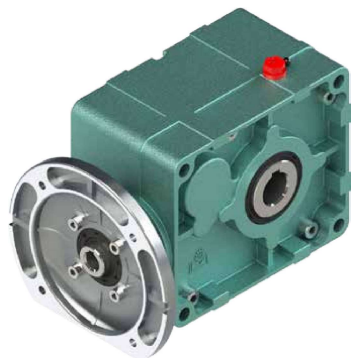
unit: mm

馬力 HP (4P)	三相馬達 3-Phase Motor		三相剎車馬達 3-Phase Brake Motor		D	H	重量 Weight (kg)	油量 Oil (ℓ)
	M1	L1	M2	L2				
1/8	178	361	191	374	123	170	11.9	0.5
1/4	188	371	212	395	137	184	12.9	0.5
1/2	195	378	199	382	151	196	13.9	0.5



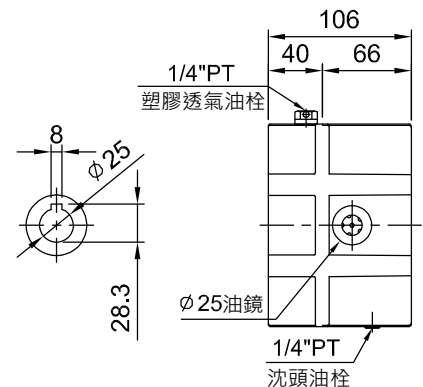
MODEL : HEB4070

RATIO : 30, 40, 50, 60, 96, 132, 150, 192



unit: mm

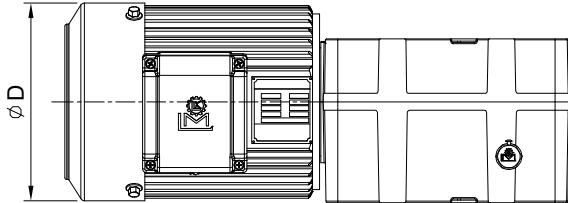
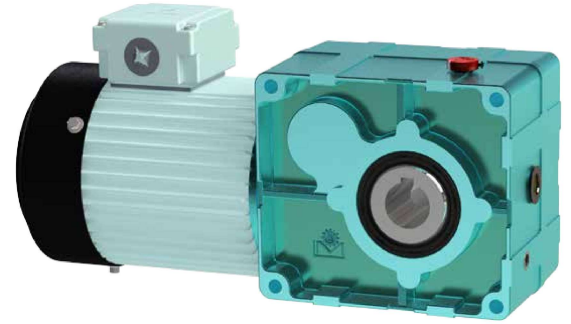
馬力 HP (4P)	A	B	C	Z	S	W	Y	重量 Weight (kg)	油量 Oil (ℓ)
1/4	110	130	160	M8	14	5	16.3	9.4	0.5





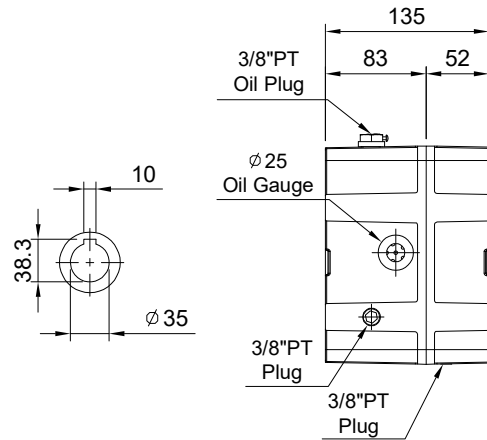
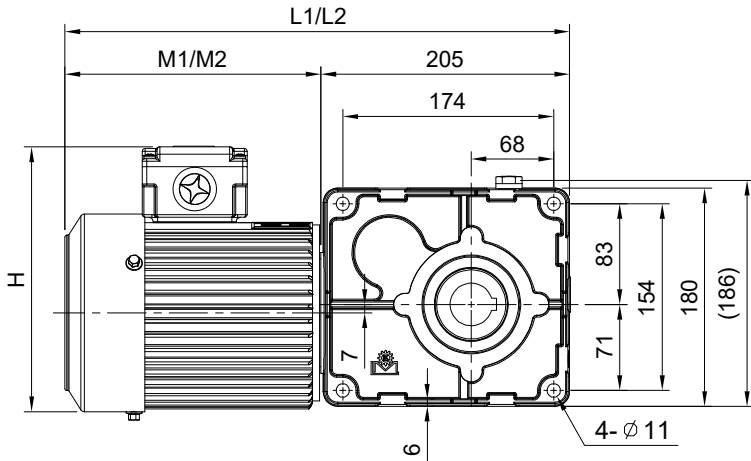
MODEL : HE5080

RATIO : 30, 40, 50, 60, 75, 90, 120, 150, 180



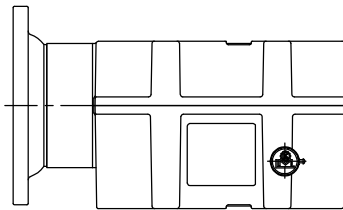
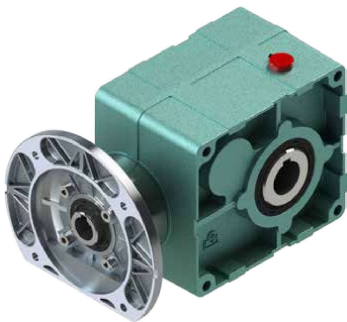
unit: mm

馬力 HP (4P)	三相馬達 3-Phase Motor		三相剎車馬達 3-Phase Brake Motor		D	H	重量 Weight (kg)	油量 Oil (ℓ)
	M1	L1	M2	L2				
1/2	192	397	196	401	151	196	19.2	0.75
1	210	415	220	425	163	210	21.2	0.75



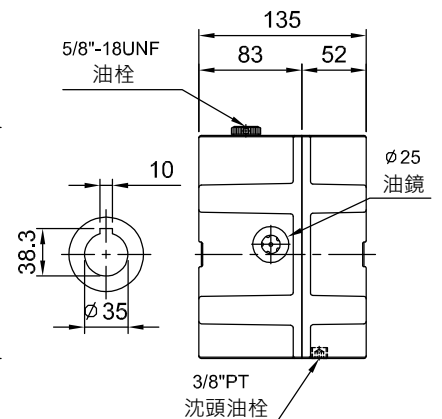
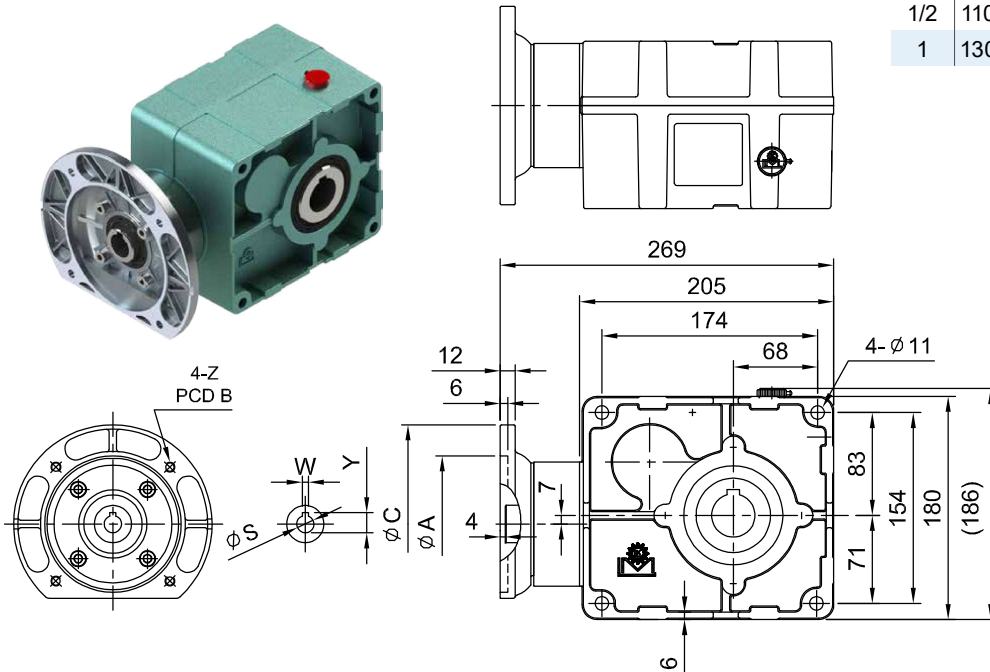
MODEL : HEB5080

RATIO : 30, 40, 50, 60, 75, 90, 120, 150, 180



unit: mm

馬力 HP (4P)	A	B	C	Z	S	W	Y	重量 Weight (kg)	油量 Oil (ℓ)
1	130	165	200	M10	19	6	21.8	13.25	0.75



▲ 重量不含馬達及潤滑油 The weight does not include motor and lubricant

安裝方向 Installation Direction

● 油面計
Oil Indicator

▼ 注油栓
Oil Plug

△ 排油栓
Oil Drain Plug

◆ 正常的使用方向可以使減速機保持較高的壽命。
The life time of gear reducer can be prolonged in proper direction.

◆ 安裝時請注意油面計、注油栓及排油栓的位置以便日後維護。
Please note the positions of oil gauge, oil filling plug and oil drain plug to facilitate the maintenance afterwards.

◆ 減速機使用方向特殊時，請與我們連繫。
For special installation direction, please contact us.

◆ 以下安裝方向示意圖的馬達配線盒位置，皆為圖示 ① 上 (Up) 標準 Standard。

The positions of the motor wiring box in the following installation direction diagrams are all standard (Up) ① .

◆ 馬達配線盒之選擇 (以面向馬達風罩為準)。

Selection of motor wiring box (when we face the motor fan).

◆ 訂購時，請註明。

For any order, please specify your need clearly.

