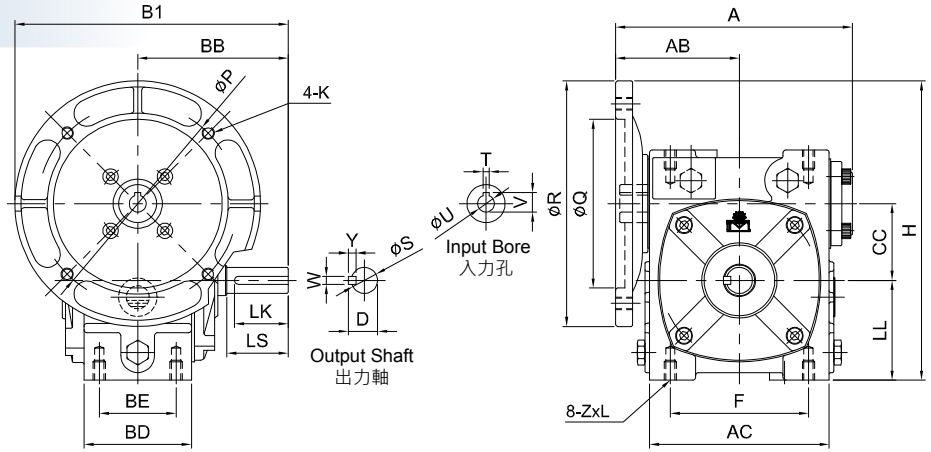
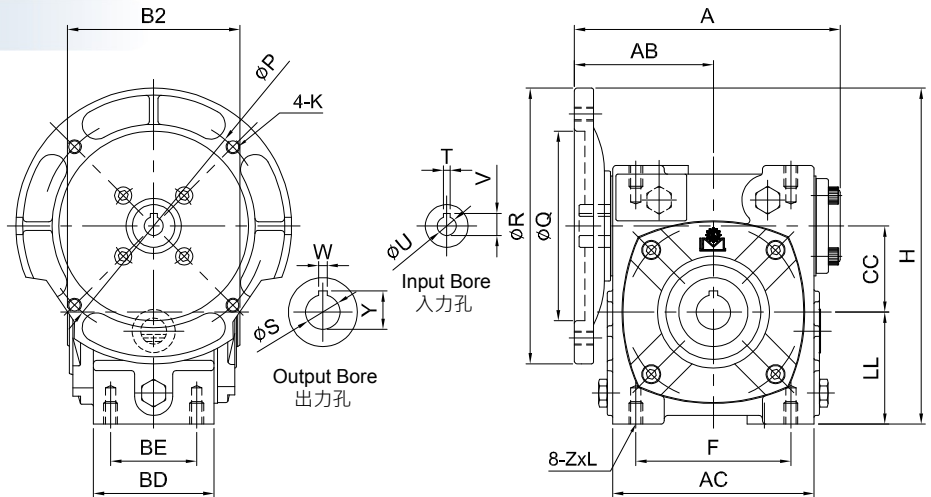


MODEL : EM

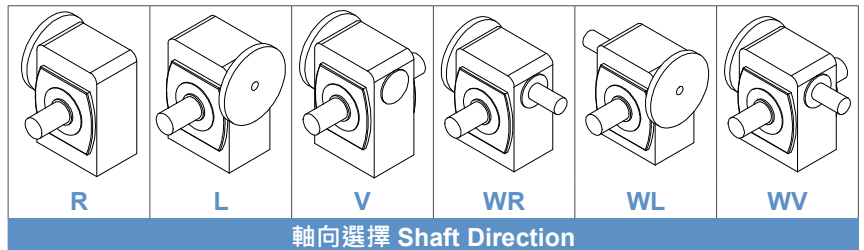


MODEL : EOM



unit: mm

| 型號 Model | 出力孔 Output Bore | | |
|-------------|--------------------|----|------|
| | S | W | Y |
| 50 | 20 | 6 | 22.8 |
| 60 | 25 | 8 | 28.3 |
| 70 | 30 | 8 | 33.3 |
| 80 | 35 | 10 | 38.3 |
| 100 | 40 | 10 | 43.3 |
| 120 | 45 | 12 | 48.3 |
| 135 | 55 | 15 | 59.3 |



unit: mm

| 型號 Model | Ratio \ HP | | 腳座 Foot Stock | | | | | | | | 馬達盤 IEC 及入力孔 Motor Flange & Input Bore | | | | | | | | 出力軸 Output Shaft | | | | 重量 Weight (kg) | | | | | |
|-------------|------------|-----------|------------------|------------|------------|-----|-----|-----|-----|------------|---|-----|-----|-----|--------|------------|------------|------------|---------------------|--------------|---------|----------|-------------------|----|----|----------|--------|------|
| | 1/10-1/30 | 1/40-1/60 | A | AB | B1 | B2 | BB | CC | LL | H | AC | F | BD | BE | ZxL | P | Q | R | K | V | T | U | LS | S | D | WxYxLK | EM | EOM |
| | 50 | 1/4 | - | 154 | 81 | 178 | 98 | 98 | 50 | 65 | 195 | 115 | 90 | 70 | 50 | M8x16 | 130 | 110 | 160 | M8 | 12.7 | 4 | 11 | 40 | 17 | 19 | 5x5x35 | 6.6 |
| 60 | 1/2 | 1/4 | 165 | 87 | 190 | 108 | 110 | 60 | 75 | 215 | 124 | 100 | 77 | 55 | M10x18 | 130 | 110 | 160 | M8 | 12.7 16.3 | 4 5 | 11 14 | 50 | 22 | 25 | 7x7x45 | 9.4 | 10.6 |
| 70 | 1 | 1/2 | 200 206 | 105 111 | 210 230 | 128 | 130 | 70 | 85 | 235 255 | 154 | 125 | 85 | 65 | M10x18 | 130 165 | 110 130 | 160 200 | M8 M10 | 16.3 21.8 | 5 6 | 14 19 | 60 | 28 | 31 | 7x7x55 | 15.6 | 15.4 |
| 80 | 2 | 1 | 229 | 121 | 240 | 138 | 140 | 80 | 92 | 272 | 174 | 145 | 96 | 75 | M10x18 | 165 | 130 | 200 | M10 | 21.7 27.2 | 6 8 | 19 24 | 65 | 32 | 35 | 10x8x60 | 20 | 22 |
| 100 | 3 | 2 | 280 284 | 146 150 | 270 295 | 178 | 170 | 100 | 115 | 315 340 | 225 | 185 | 116 | 85 | M12x20 | 165 215 | 130 180 | 200 248 | M10 M12 | 27.1 31.3 | 8 | 24 28 | 75 | 38 | 41 | 10x8x70 | 37.8 | 38.4 |
| 120 | 5 | 3 | 333 | 173 | 315 | 198 | 190 | 120 | 155 | 400 | 264 | 220 | 132 | 100 | M14x28 | 215 | 180 | 248 | M12 | 31.3 | 8 | 28 | 85 | 45 | 48 | 12x8x80 | 60.2 | 61.6 |
| 135 | 7 1/2 | 5 | 374 | 193 | 339 364 | 218 | 214 | 135 | 185 | 445 470 | 306 | 260 | 150 | 110 | M16x30 | 215 265 | 180 230 | 248 300 | M12 | 31.3 41.3 | 8 10 | 28 38 | 95 | 55 | 59 | 15x10x90 | 81.6 | 84 |